



Middle Atlantic Products, Inc.

[middleatlantic.com](http://middleatlantic.com)

# 96-01025 / rev 1 / 11-19-04 Rackmount LCD, Keyboard and Touchpad



## Single Rackspace 15" LCD Monitor, Keyboard with Integrated Touchpad

### Features

- Space saving design occupies a single rackspace
- Easy to read 15" bright active matrix LCD display
- LCD can be in open position for system monitoring while keyboard is in the closed position
- Comes standard with installed keylock for security
- Standard 101, 102 key PS/2 keyboard with touchpad
- 1024 X 768 screen resolution
- No hassle 1 year warranty
- UL Listed in the US and Canada



RM-KB-LCD15

### Architects' and Engineers' Specifications

EIA compliant 19" rackmount LCD monitor, keyboard with integrated touchpad shall be Middle Atlantic Products part # RM-KB-LCD15 and shall occupy 1 rackspace. Overall dimensions shall be 1.75" H x 19" W x 17.75" D. The chassis shall be constructed of 16-gauge and 18-gauge steel. Keyboard shall have a standard 101, 102 key PS/2 keyboard with touchpad. LCD display size shall be 15" diagonal with a resolution of 1024 x 768. Screen shall have a typical contrast ratio of 350:1. Power source shall be 90 - 240 VAC with a power consumption of 25 watts. Keyboard with LCD display shall have an operating range of 32°F - 122°F. Comes standard with installed keylock for security. Finished in a black powder coat. UL Listed in the U.S. and Canada.

electronic version available at [middleatlantic.com](http://middleatlantic.com)

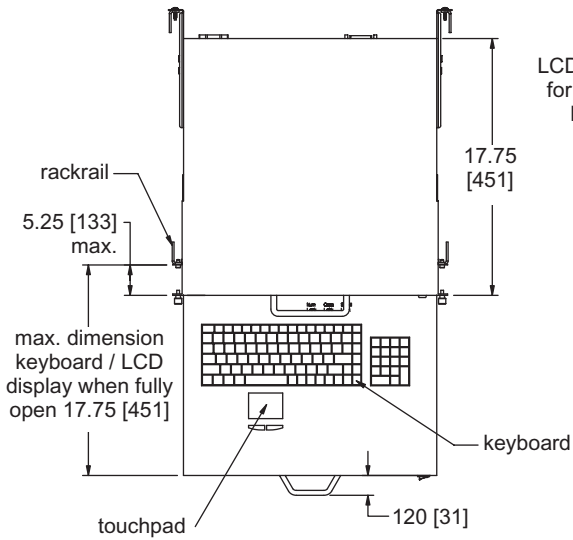
## Engineered Mounting Solutions

US: New Jersey • California • Illinois • Voice: 973-839-1011 Fax: 973-839-1976 • [middleatlantic.com](http://middleatlantic.com)  
Canada: Ontario • British Columbia • Voice: 613-836-2501 Fax: 613-836-2690 • [middleatlantic.ca](http://middleatlantic.ca)

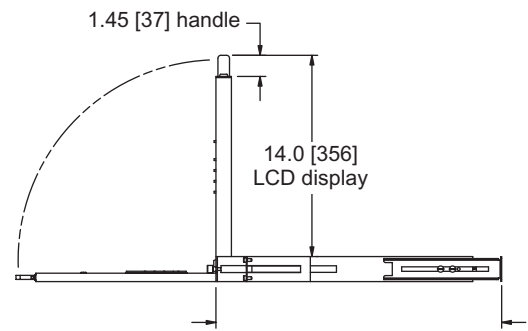
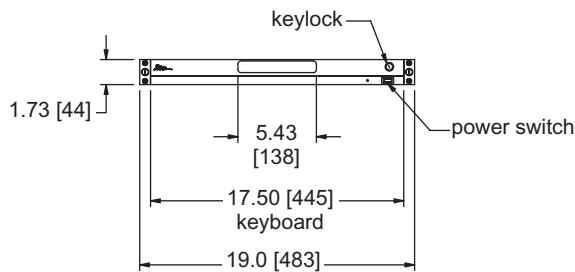
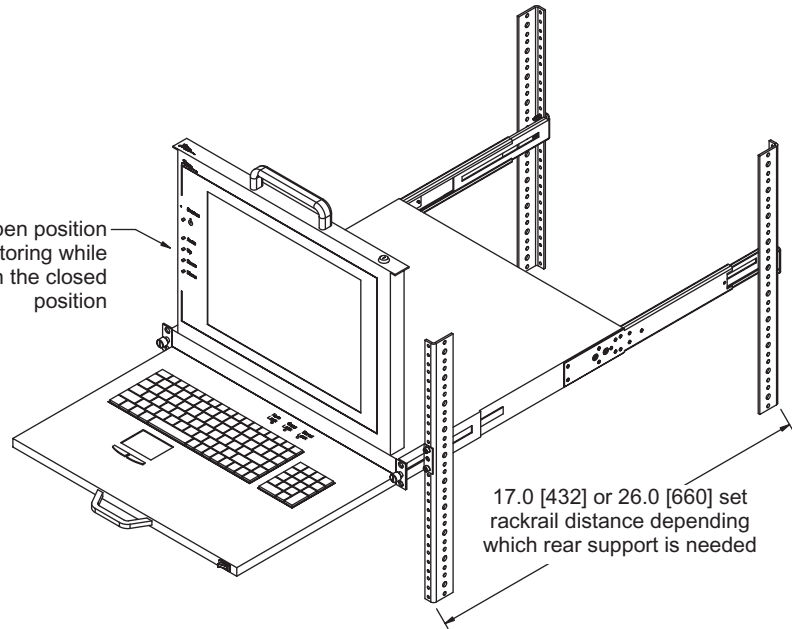
# LCD basic dimensions

All dimensions in inches unless otherwise noted [All dimensions in brackets are millimeters]

comes with power cord and console cable connector



LCD can be in open position for system monitoring while keyboard is in the closed position



17.0 [432] or 26.0 [660] depending which rear support is needed

